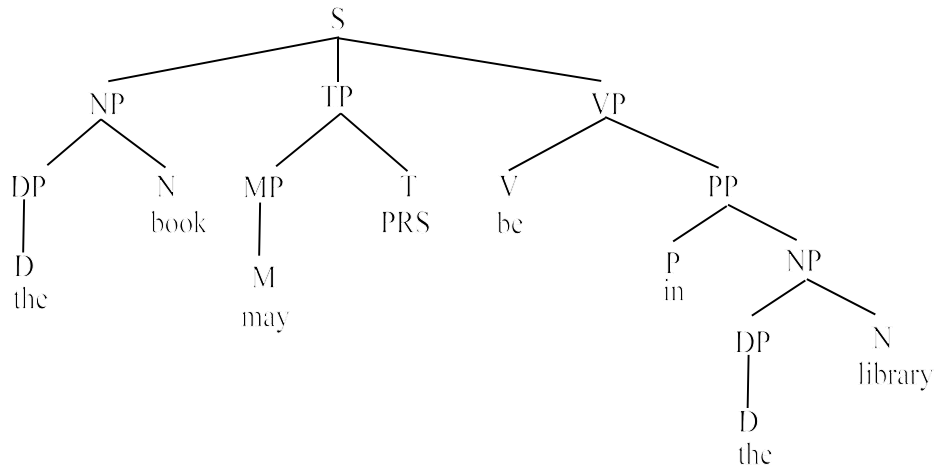
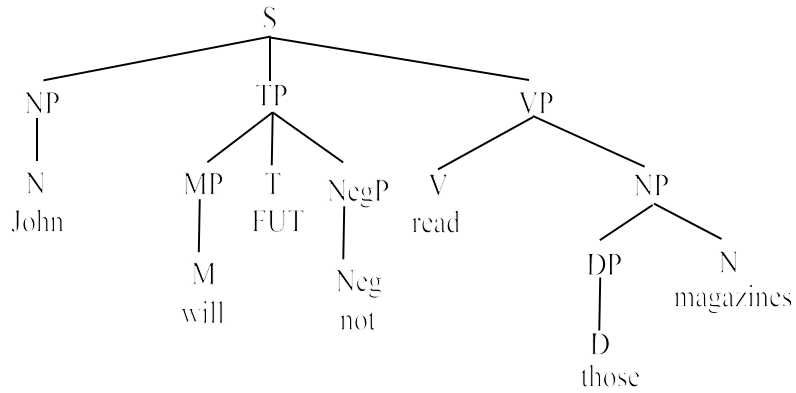


## SAMPLE DIAGRAMS 1

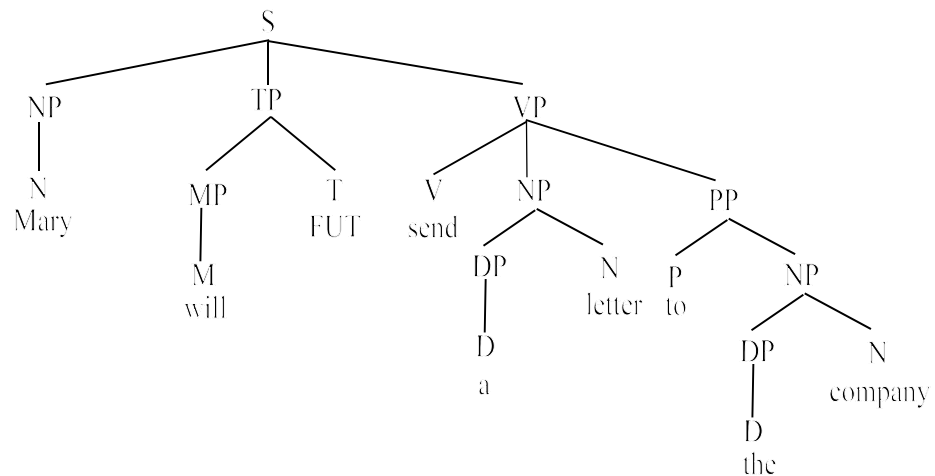
1. The book may be in the library.



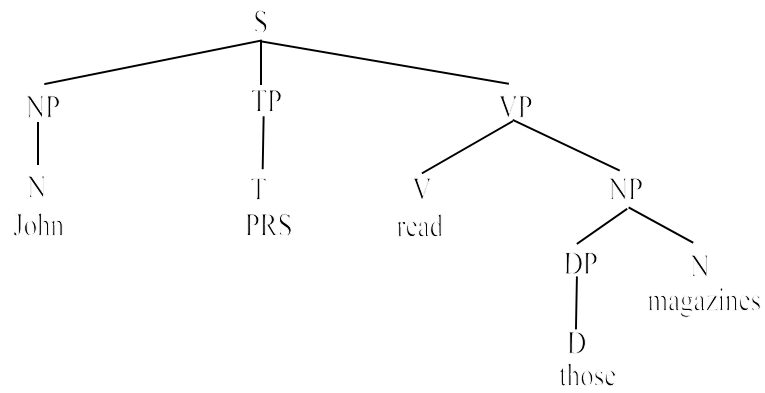
2. John will not read those magazines.



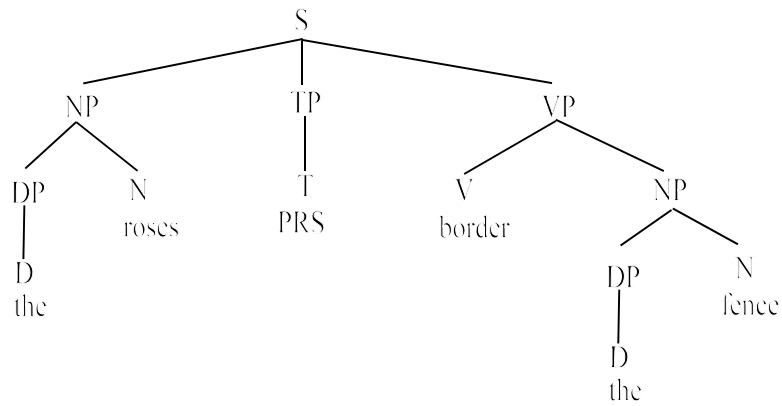
3. Mary will send a letter to the company.



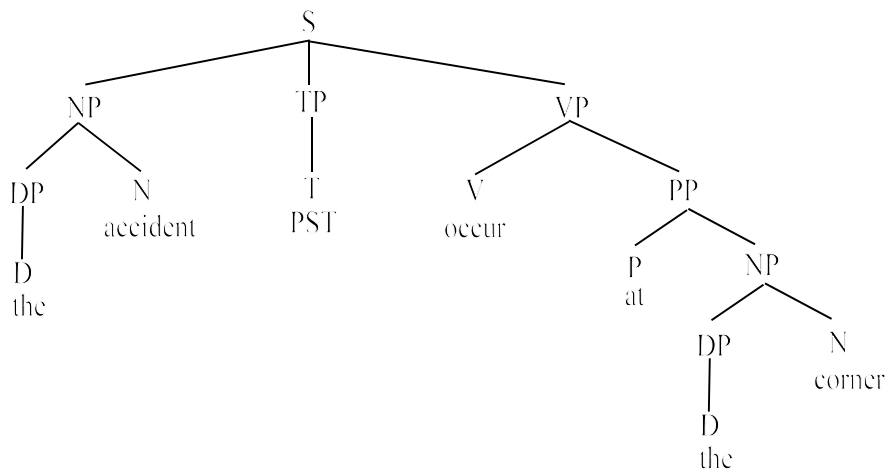
4. John reads those magazines.



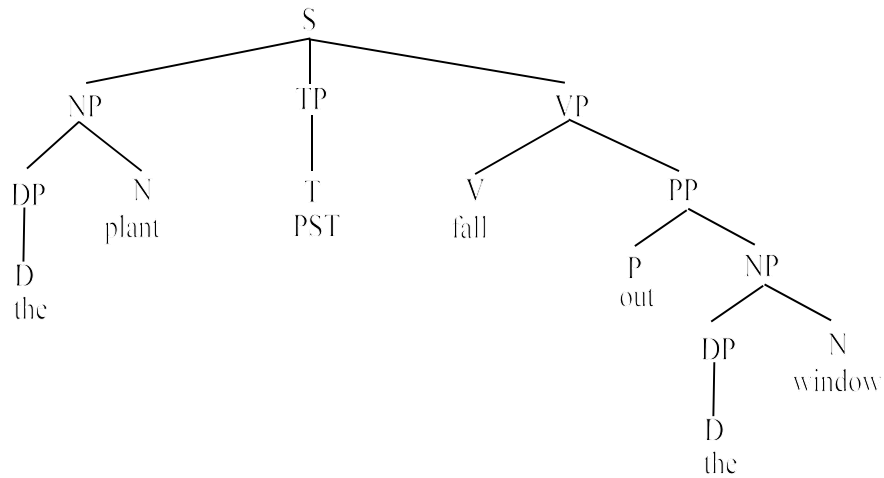
5. The roses border the fence.



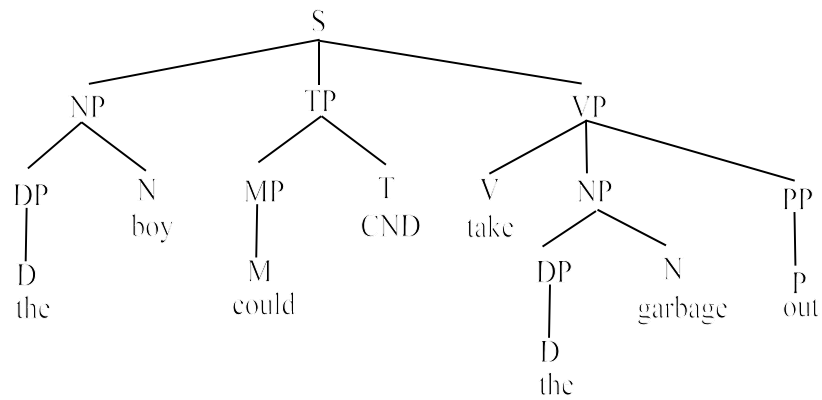
6. The accident occurred at the corner.



7. The plant fell out the window.



8. The boy could take the garbage out.



9. The boy could take out the garbage.

