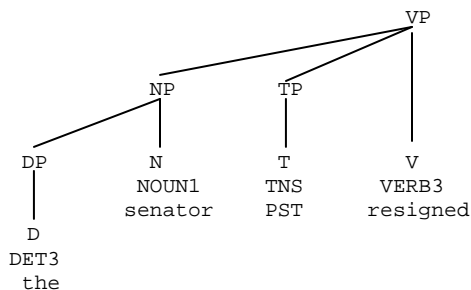


VPAMPLE PARSEVPILLUSTRATING BASIC SENTENCE PATTERNS

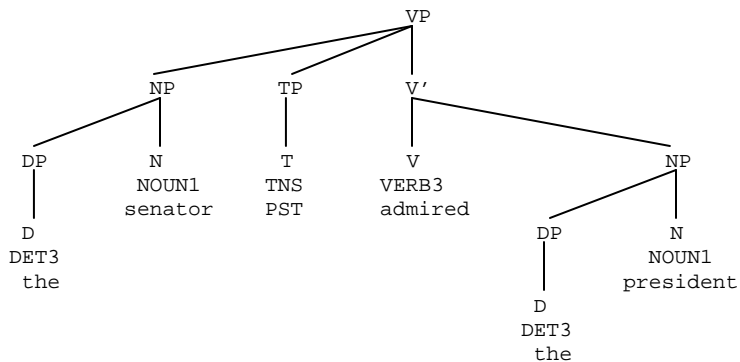
(1) INTRANSITIVE: the senator resigned

The clause "the senator resigned" is a statement.
 The phrase "the senator" is a noun phrase and the subject of the verb "resigned".
 The word "resigned" is a past tense verb.
 The word "resigned" is the main verb of "the senator resigned".
 The word "senator" is a singular count noun.
 The word "senator" is the head of the noun phrase "the senator".
 The word "the" is a determiner specifying the noun "senator".



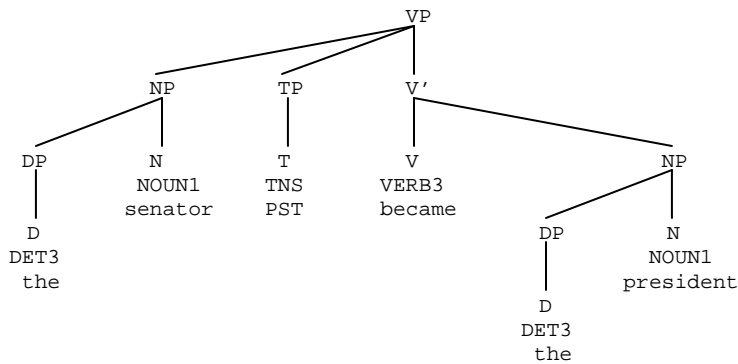
(2) TRANSITIVE (DIRECT OBJECT COMPLEMENT ON V'): the senator admired the president

The clause "the senator admired the president" is a statement.
 The phrase "the president" is a noun phrase and the direct object of the verb "admired".
 The phrase "the senator" is a noun phrase and the subject of the verb "admired".
 The word "admired" is a past tense verb.
 The word "admired" is the main verb of "the senator admired the president".
 The word "president" is a singular count noun.
 The word "president" is the head of the noun phrase "the president".
 The word "senator" is a singular count noun.
 The word "senator" is the head of the noun phrase "the senator".
 The word "the" is a determiner specifying the noun "president".
 The word "the" is a determiner specifying the noun "senator".



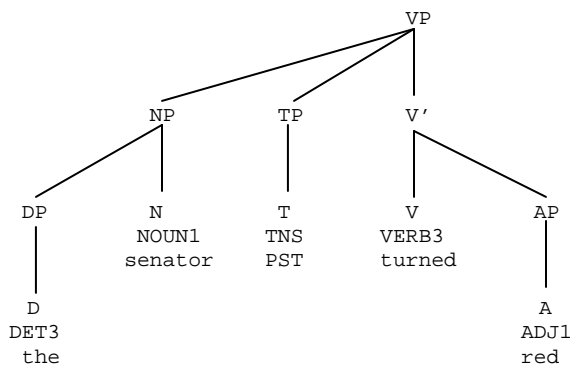
(3) COPULATIVE (PREDICATE COMPLEMENT ON V'): the senator became the president

The clause "the senator became the president" is a statement.
 The phrase "the president" is a noun phrase describing the subject "senator".
 The phrase "the senator" is a noun phrase and the subject of the verb "became".
 The word "became" is a past tense verb.
 The word "became" is the main verb of "the senator became the president".
 The word "president" is a singular count noun.
 The word "president" is the head of the noun phrase "the president".
 The word "senator" is a singular count noun.
 The word "senator" is the head of the noun phrase "the senator".
 The word "the" is a determiner specifying the noun "senator".
 The word "the" is a determiner specifying the noun "president".



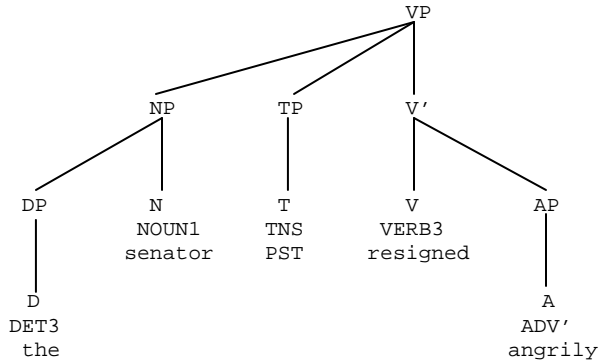
(4) COPULATIVE (PREDICATE COMPLEMENT ON V'): the senator turned red

The clause "the senator turned red" is a statement.
 The phrase "red" is an adjective phrase describing the subject "senator".
 The phrase "the senator" is a noun phrase and the subject of the verb "turned".
 The word "red" is an adjective.
 The word "senator" is a singular count noun.
 The word "senator" is the head of the noun phrase "the senator".
 The word "the" is a determiner specifying the noun "senator".
 The word "turned" is a past tense verb.
 The word "turned" is the main verb of "the senator turned red".



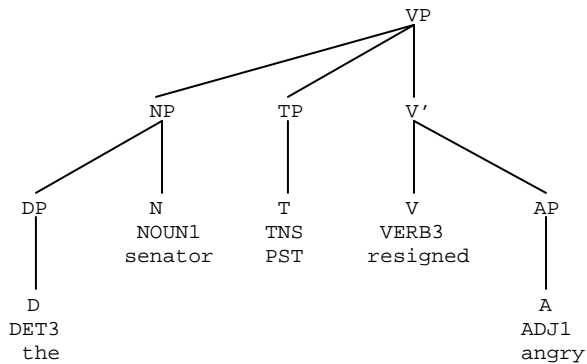
(5) INTRANSITIVE WITH A MANNER ADVERB: the senator resigned angrily

The clause "the senator resigned angrily" is a statement.
 The phrase "angrily" is an adverb phrase modifying the verb "resigned".
 The phrase "the senator" is a noun phrase and the subject of the verb "resigned".
 The word "angrily" is a manner adverb.
 The word "resigned" is a past tense verb.
 The word "resigned" is the main verb of "the senator resigned angrily".
 The word "senator" is a singular count noun.
 The word "senator" is the head of the noun phrase "the senator".
 The word "the" is a determiner specifying the noun "senator".



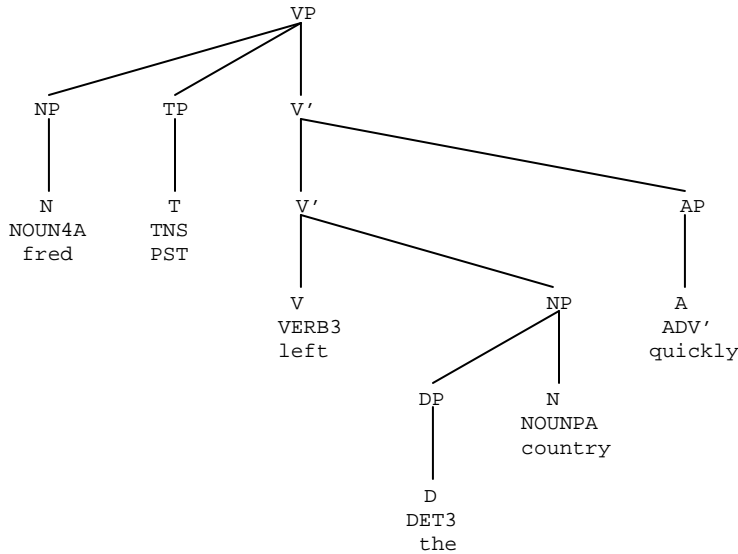
(6) INTRANSITIVE WITH PREDICATE ADJECTIVE: the senator resigned angry

The clause "the senator resigned angry" is a statement.
 The phrase "angry" is a predicate adjective referring back to the subject "senator".
 The phrase "the senator" is a noun phrase and the subject of the verb "resigned".
 The word "angry" is an adjective.
 The word "resigned" is a past tense verb.
 The word "resigned" is the main verb of "the senator resigned angry".
 The word "senator" is a singular count noun.
 The word "senator" is the head of the noun phrase "the senator".
 The word "the" is a determiner specifying the noun "senator".



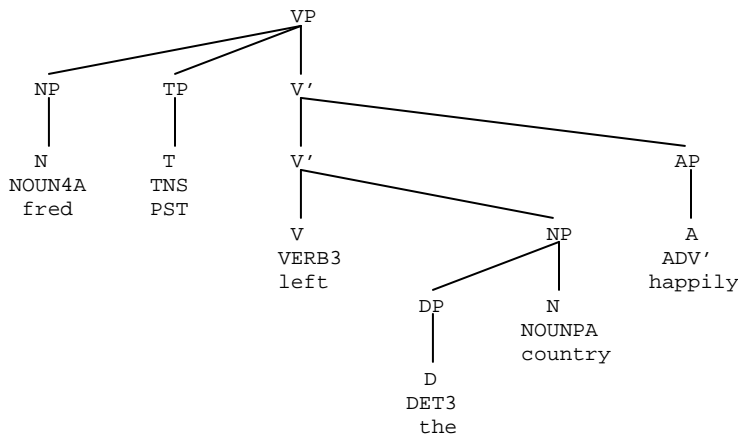
(7) TRANSITIVE (DIRECT OBJECT + MANNER ADVERB): fred left the country quickly

The clause "fred left the country quickly" is a statement.
 The phrase "fred" is a noun phrase and the subject of the verb "left".
 The phrase "quickly" is an adverb phrase modifying the verb "left".
 The phrase "the country" is a noun phrase and the direct object of the verb "left".
 The word "country" is a singular count noun.
 The word "country" is the head of the noun phrase "the country".
 The word "fred" is a proper noun.
 The word "left" is a past tense verb.
 The word "left" is the main verb of "fred left the country quickly".
 The word "quickly" is a manner adverb.
 The word "the" is a determiner specifying the noun "country".



(8) TRANSITIVE (DIRECT OBJECT + MANNER ADVERB): fred left the country happily

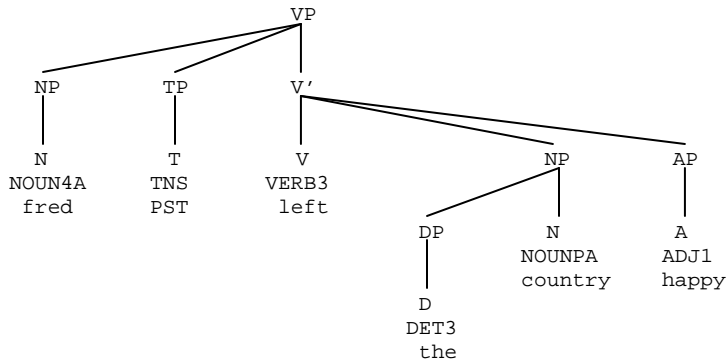
The clause "fred left the country happily" is a statement.
 The phrase "fred" is a noun phrase and the subject of the verb "left".
 The phrase "happily" is an adverb phrase modifying the verb "left".
 The phrase "the country" is a noun phrase and the direct object of the verb "left".
 The word "country" is a singular count noun.
 The word "country" is the head of the noun phrase "the country".
 The word "fred" is a proper noun.
 The word "happily" is a manner adverb.
 The word "left" is a past tense verb.
 The word "left" is the main verb of "fred left the country happily".
 The word "the" is a determiner specifying the noun "country".



(9)fred left the country happy

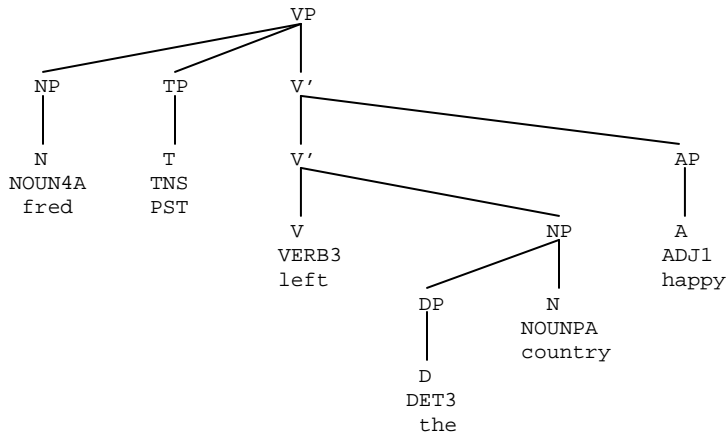
a. TRANSITIVE (DIRECT OBJECT + OBJECTIVE COMPLEMENT):

The clause "fred left the country happy" is a statement.
 The phrase "fred" is a noun phrase and the subject of the verb "left".
 The phrase "happy" is an adjective phrase describing "country".
 The phrase "the country" is a noun phrase and the direct object of the verb "left".
 The word "country" is the head of the noun phrase "the country".
 The word "country" is a singular count noun.
 The word "fred" is a proper noun.
 The word "happy" is an adjective.
 The word "left" is a past tense verb.
 The word "left" is the main verb of "fred left the country happy".
 The word "the" is a determiner specifying the noun "country".



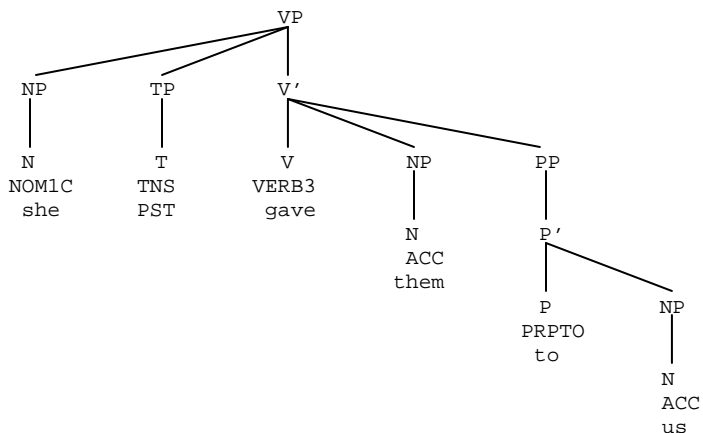
b. TRANSITIVE (DIRECT OBJECT + SUBJECTIVE COMPLEMENT):

The clause "fred left the country happy" is a statement.
 The phrase "fred" is a noun phrase and the subject of the verb "left".
 The phrase "happy" is a predicate adjective referring back to the subject "fred".
 The phrase "the country" is a noun phrase and the direct object of the verb "left".
 The word "country" is the head of the noun phrase "the country".
 The word "country" is a singular count noun.
 The word "fred" is a proper noun.
 The word "happy" is an adjective.
 The word "left" is a past tense verb.
 The word "left" is the main verb of "fred left the country happy".
 The word "the" is a determiner specifying the noun "country".



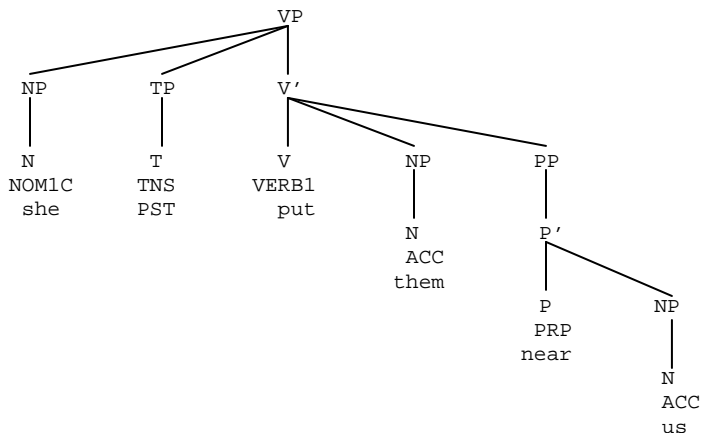
(10) TRANSITIVE (DIRECT OBJECT + INDIRECT OBJECT): she gave them to us

The clause "she gave them to us" is a statement.
 The phrase "she" is a noun phrase and the subject of the verb "gave".
 The phrase "them" is a noun phrase and the direct object of the verb "gave".
 The phrase "to us" is a prepositional phrase and the indirect object of the verb "gave".
 The phrase "us" is a noun phrase and the object of the preposition "to".
 The word "gave" is a past tense verb.
 The word "gave" is the main verb of "she gave them to us".
 The word "she" is a third person singular feminine subject pronoun.
 The word "them" is a third person plural object pronoun.
 The word "to" is a preposition introducing the prepositional phrase "to us".
 The word "us" is a first person plural object pronoun.



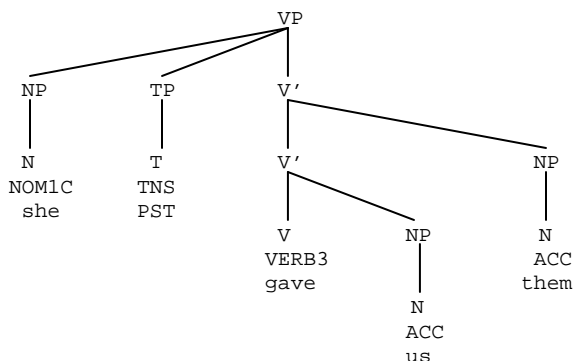
(11) TRANSITIVE (DIRECT OBJECT + PREPOSITIONAL PHRASE): she put them near us

The clause "she put them near us" is a statement.
 The phrase "near us" is a prepositional phrase and a complement of the verb "put".
 The phrase "she" is a noun phrase and the subject of the verb "put".
 The phrase "them" is a noun phrase and the direct object of the verb "put".
 The phrase "us" is a noun phrase and the object of the preposition "near".
 The word "near" is a preposition introducing the prepositional phrase "near us".
 The word "put" is a past tense verb.
 The word "put" is the main verb of "she put them near us".
 The word "she" is a third person singular feminine subject pronoun.
 The word "them" is a third person plural object pronoun.
 The word "us" is a first person plural object pronoun.



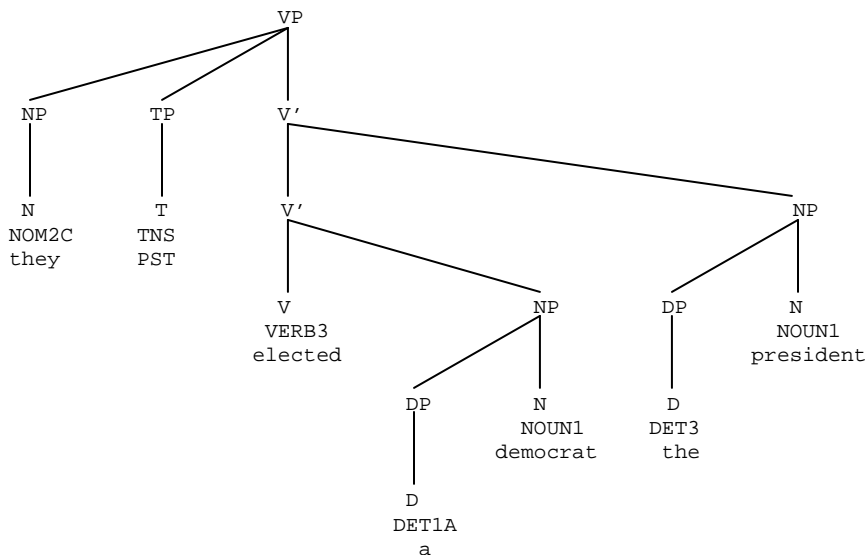
(12) TRANSITIVE (DOUBLE OBJECT): she gave us them

The clause "she gave us them" is a statement.
 The phrase "she" is a noun phrase and the subject of the verb "gave".
 The phrase "them" is a noun phrase and the direct object of the verb "gave".
 The phrase "us" is a noun phrase and the indirect object of the verb "gave".
 The word "gave" is a past tense verb.
 The word "gave" is the main verb of "she gave us them".
 The word "she" is a third person singular feminine subject pronoun.
 The word "them" is a third person plural object pronoun.
 The word "us" is a first person plural object pronoun.



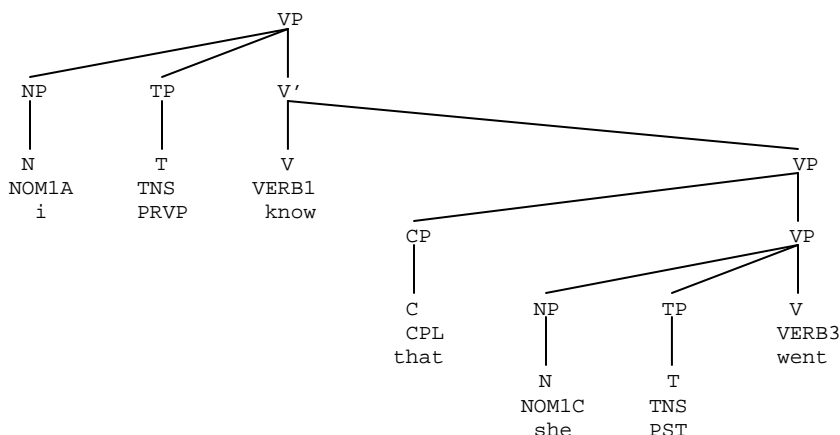
(13) TRANSITIVE (DOUBLE OBJECT): they elected a democrat the president

The clause "they elected a democrat the president" is a statement.
 The phrase "a democrat" is a noun phrase and the direct object of the verb "elected".
 The phrase "the president" is a noun phrase and the object complement of the verb "elected".
 The phrase "they" is a noun phrase and the subject of the verb "elected".
 The word "a" is a determiner specifying the noun "democrat".
 The word "democrat" is a singular count noun.
 The word "democrat" is the head of the noun phrase "a democrat".
 The word "elected" is a past tense verb.
 The word "elected" is the main verb of "they elected a democrat the president".
 The word "president" is a singular count noun.
 The word "president" is the head of the noun phrase "the president".
 The word "the" is a determiner specifying the noun "president".
 The word "they" is a third person plural subject pronoun.



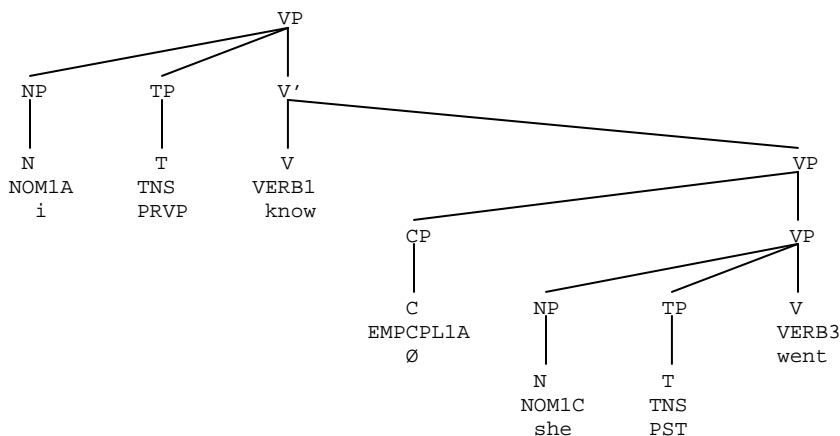
(14) TRANSITIVE (SENTENTIAL COMPLEMENT; INDIRECT STATEMENT): i know that she went

The clause "i know that she went" is a statement.
 The clause "she went" is an indirect statement.
 The clause "that she went" is a complement clause of the verb "know".
 The phrase "i" is a noun phrase and the subject of the verb "know".
 The phrase "she" is a noun phrase and the subject of the verb "went".
 The word "i" is a first person singular subject pronoun.
 The word "know" is a present tense verb.
 The word "know" is the main verb of "i know that she went".
 The word "she" is a third person singular feminine subject pronoun.
 The word "that" is a complementizer specifying the complement clause "she went".
 The word "went" is a past tense verb.
 The word "went" is the main verb of "that she went".



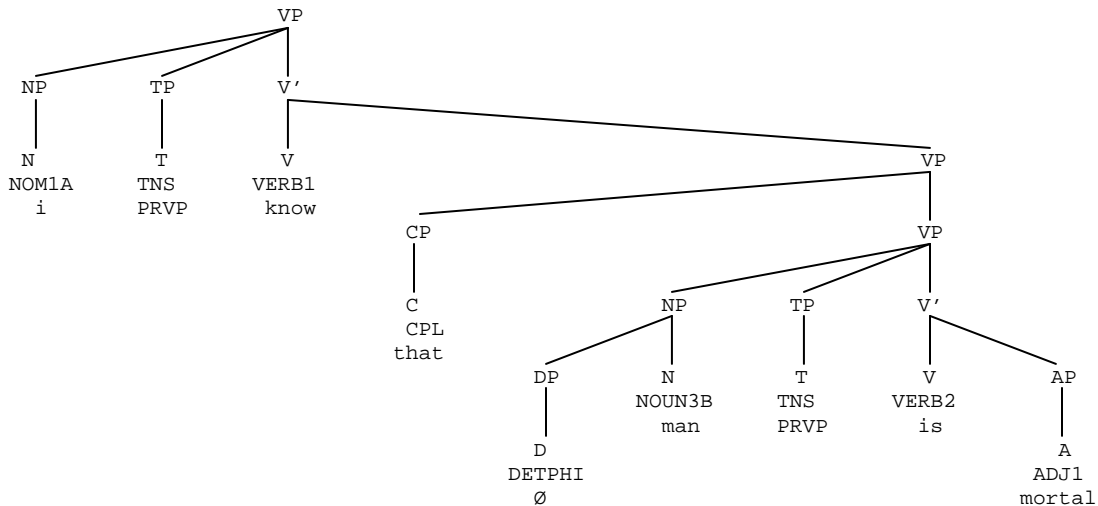
(15) TRANSITIVE (SENTENTIAL COMPLEMENT; INDIRECT STATEMENT): i know she went

The clause "i know she went" is a statement.
 The clause "she went" is an indirect statement.
 The phrase "i" is a noun phrase and the subject of the verb "know".
 The phrase "she went" is a complement clause of the verb "know".
 The word "i" is a first person singular subject pronoun.
 The word "know" is a present tense verb.
 The word "know" is the main verb of "i know she went".
 The word "∅" is a complementizer specifying the complement clause "she went".
 The word "she" is a third person singular feminine subject pronoun.
 The word "went" is a past tense verb.
 The word "went" is the main verb of "she went".

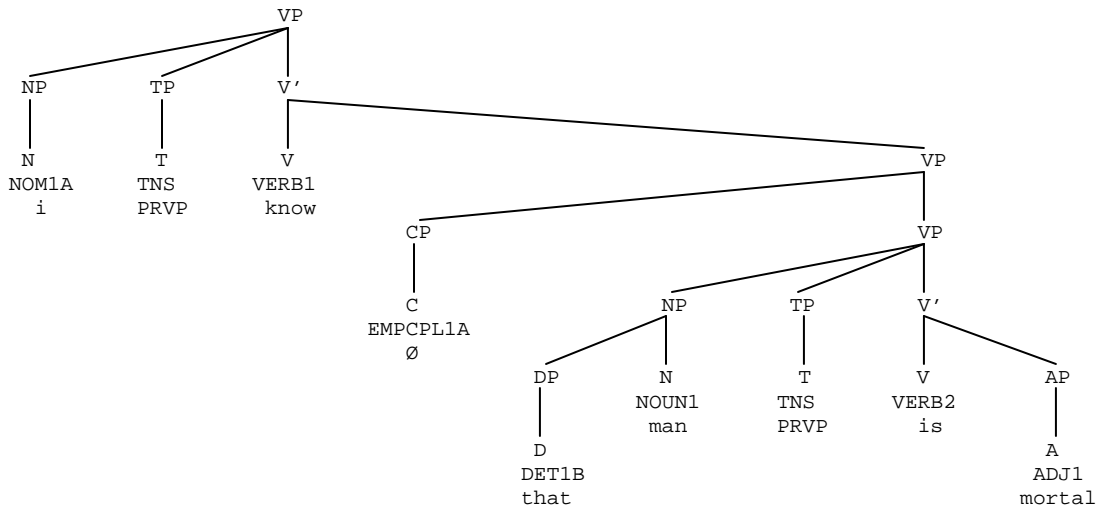


(16) TRANSITIVE (SENTENTIAL COMPLEMENT; INDIRECT STATEMENT): i know that man is mortal

The clause "i know that man is mortal" is a statement.
 The clause "man is mortal" is an indirect statement.
 The clause "that man is mortal" is a complement clause of the verb "know".
 The phrase "i" is a noun phrase and the subject of the verb "know".
 The phrase "man" is a noun phrase and the subject of the verb "is".
 The phrase "mortal" is a predicate adjective referring back to the subject "man".
 The word "i" is a first person singular subject pronoun.
 The word "is" is a third person singular present tense verb.
 The word "is" is the main verb of "man is mortal".
 The word "know" is a present tense verb.
 The word "know" is the main verb of "i know that man is mortal".
 The word "man" is the head of the noun phrase "man".
 The word "mortal" is an adjective.
 The word "Ø" is an abstract empty determiner specifying the noun "man".
 The word "that" is a complementizer specifying the complement clause "man is mortal".

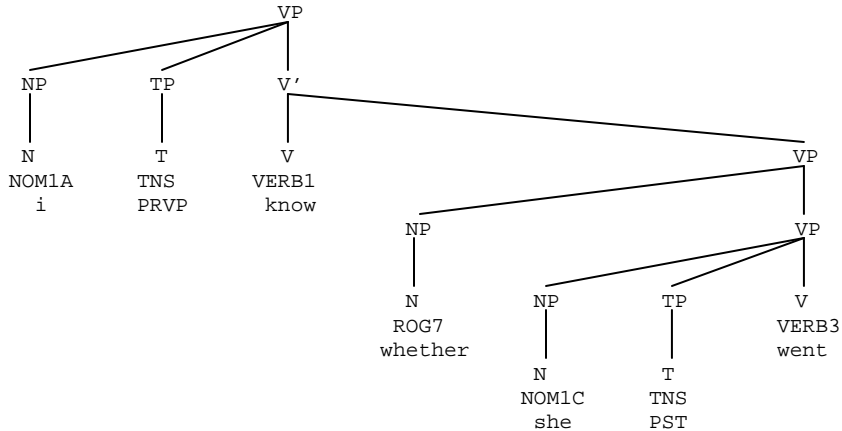


The clause "i know that man is mortal" is a statement.
 The clause "that man is mortal" is a complement clause of the verb "know".
 The clause "that man is mortal" is an indirect statement.
 The phrase "i" is a noun phrase and the subject of the verb "know".
 The phrase "mortal" is a predicate adjective referring back to the subject "man".
 The phrase "that man" is a noun phrase and the subject of the verb "is".
 The word "i" is a first person singular subject pronoun.
 The word "is" is a third person singular present tense verb.
 The word "is" is the main verb of "that man is mortal".
 The word "know" is a present tense verb.
 The word "know" is the main verb of "i know that man is mortal".
 The word "man" is the head of the noun phrase "that man".
 The word "mortal" is an adjective.
 The word "Ø" is a complementizer specifying the complement clause "that man is mortal".
 The word "that" is a determiner specifying the noun "man".



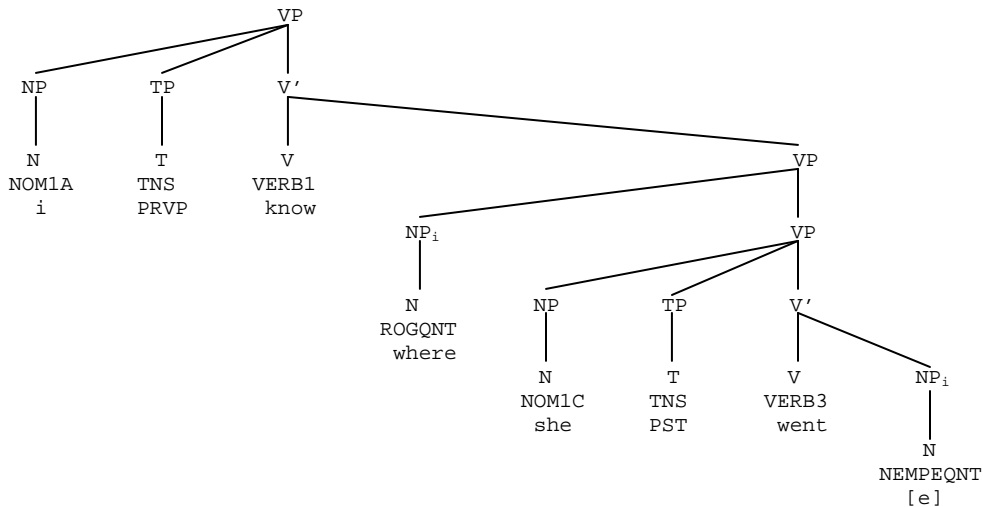
(17) TRANSITIVE (SENTENTIAL COMPLEMENT; INDIRECT QUESTION): i know whether she went

The clause "i know whether she went" is a statement.
 The clause "whether she went" is an indirect question.
 The phrase "i" is a noun phrase and the subject of the verb "know".
 The phrase "she" is a noun phrase and the subject of the verb "went".
 The word "i" is a first person singular subject pronoun.
 The word "know" is a present tense verb.
 The word "know" is the main verb of "i know whether she went".
 The word "she" is a third person singular feminine subject pronoun.
 The word "went" is a past tense verb.
 The word "went" is the main verb of "whether she went".
 The word "whether" is an interrogative pronoun.



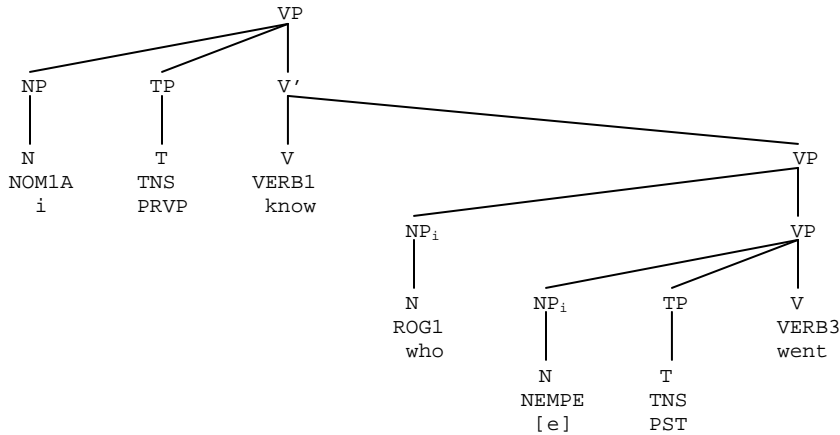
(18) TRANSITIVE (SENTENTIAL COMPLEMENT; INDIRECT QUESTION): i know where she went

The clause "i know where she went" is a statement.
 The clause "where she went" is an indirect question.
 The phrase "i" is a noun phrase and the subject of the verb "know".
 The phrase "she" is a noun phrase and the subject of the verb "went".
 The phrase "[e]" is the referent of "where" and the empty modifier phrase of the verb "went".
 The word "i" is a first person singular subject pronoun.
 The word "know" is a present tense verb.
 The word "know" is the main verb of "i know where she went".
 The word "she" is a third person singular feminine subject pronoun.
 The word "went" is a past tense verb.
 The word "went" is the main verb of "where she went".
 The word "where" is an interrogative pronoun.



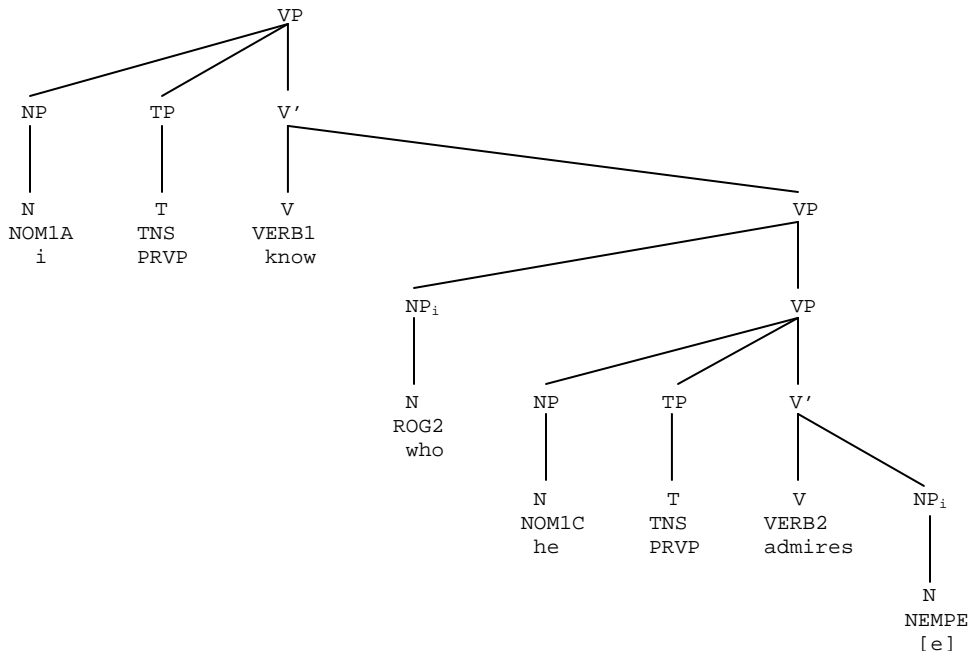
(19) TRANSITIVE (SENTENTIAL COMPLEMENT; INDIRECT QUESTION): i know who went

The clause "i know who went" is a statement.
 The clause "who went" is an indirect question.
 The phrase "i" is a noun phrase and the subject of the verb "know".
 The phrase "[e]" is the referent of "who" and the empty subject noun phrase of the verb "went".
 The word "i" is a first person singular subject pronoun.
 The word "know" is a present tense verb.
 The word "know" is the main verb of "i know who went".
 The word "went" is a past tense verb.
 The word "went" is the main verb of "who went".
 The word "who" is an interrogative pronoun.



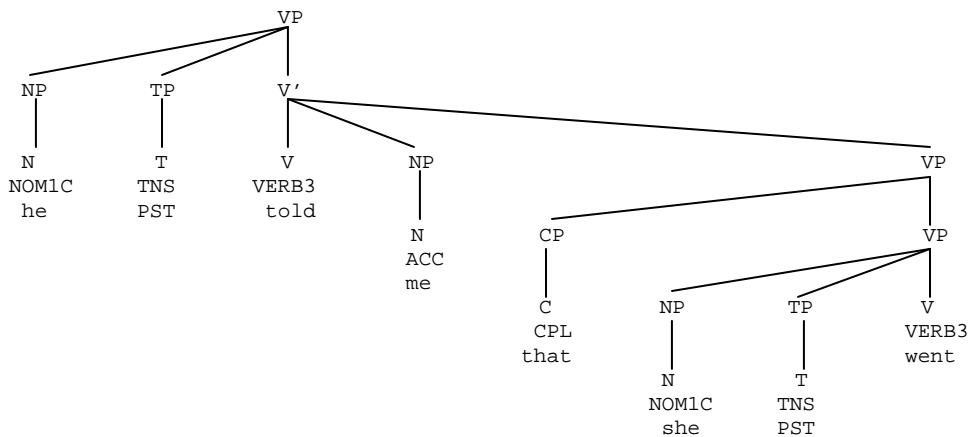
(20) TRANSITIVE (SENTENTIAL COMPLEMENT; INDIRECT QUESTION): i know who he admires

The clause "i know who he admires" is a statement.
 The clause "who he admires" is an indirect question.
 The phrase "i" is a noun phrase and the subject of the verb "know".
 The phrase "[e]" is an abstract empty noun phrase and the direct object of the verb "admires".
 The word "admires" is a third person singular present tense verb.
 The word "admires" is the main verb of "who he admires".
 The word "he" is a third person singular masculine subject pronoun.
 The word "i" is a first person singular subject pronoun.
 The word "know" is a present tense verb.
 The word "know" is the main verb of "i know who he admires".
 The word "who" is an interrogative pronoun.



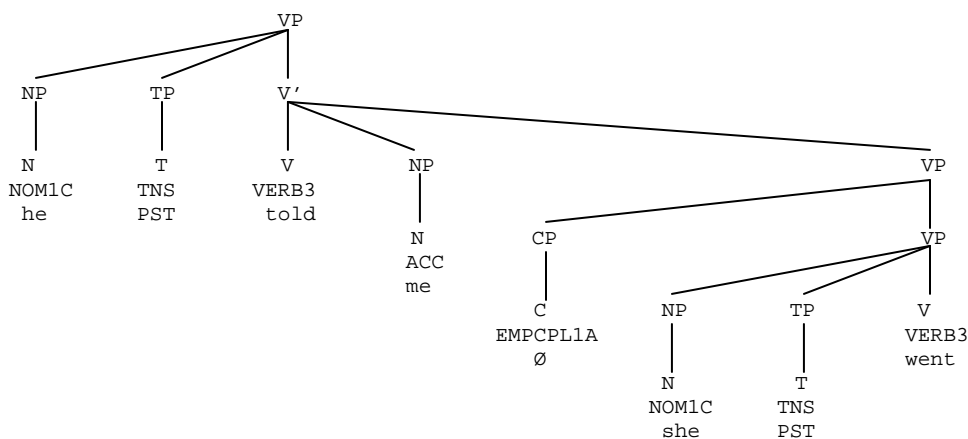
- (21) TRANSITIVE (DIRECT OBJECT + SENTENTIAL COMPLEMENT; INDIRECT STATEMENT): he told me that she went

The clause "he told me that she went" is a statement.
 The clause "that she went" is a complement clause of the verb "told".
 The clause "she went" is an indirect statement.
 The phrase "he" is a noun phrase and the subject of the verb "told".
 The phrase "me" is a noun phrase and the direct object of the verb "told".
 The phrase "she" is a noun phrase and the subject of the verb "went".
 The word "he" is a third person singular masculine subject pronoun.
 The word "me" is a first person singular object pronoun.
 The word "she" is a third person singular feminine subject pronoun.
 The word "that" is a complementizer specifying the complement clause "she went".
 The word "told" is a past tense verb.
 The word "told" is the main verb of "he told me that she went".
 The word "went" is a past tense verb.
 The word "went" is the main verb of "that she went".



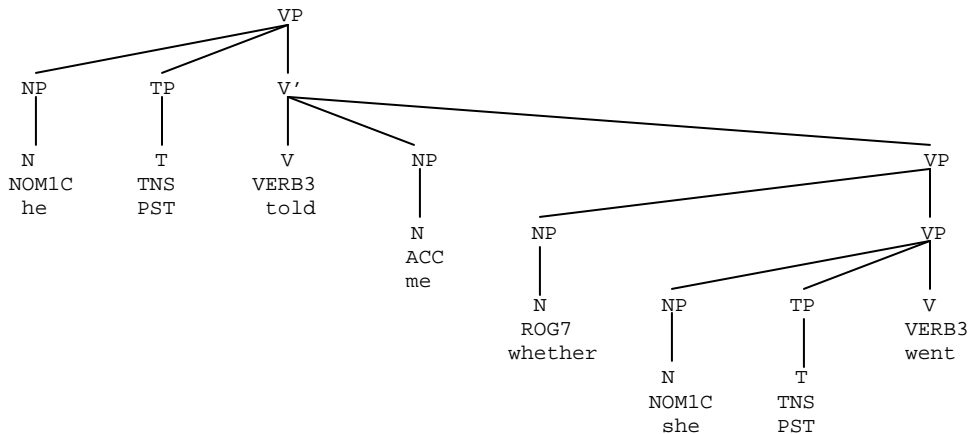
- (22) TRANSITIVE (DIRECT OBJECT + SENTENTIAL COMPLEMENT; INDIRECT STATEMENT): he told me she went

The clause "he told me she went" is a statement.
 The clause "that she went" is a complement clause of the verb "told".
 The clause "she went" is an indirect statement.
 The phrase "he" is a noun phrase and the subject of the verb "told".
 The phrase "me" is a noun phrase and the direct object of the verb "told".
 The word "he" is a third person singular masculine subject pronoun.
 The word "me" is a first person singular object pronoun.
 The word "∅" is a complementizer specifying the complement clause "she went".
 The word "she" is a third person singular feminine subject pronoun.
 The word "told" is a past tense verb.
 The word "told" is the main verb of "he told me she went".
 The word "went" is a past tense verb.
 The word "went" is the main verb of "that she went".



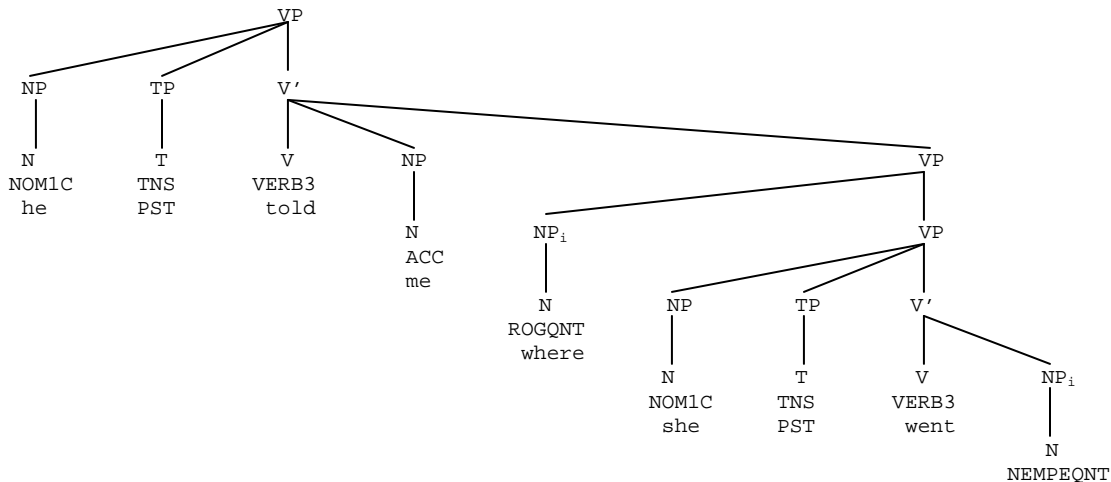
(23) TRANSITIVE (DIRECT OBJECT + SENTENTIAL COMPLEMENT; INDIRECT QUESTION): he told me whether she went

The clause "he told me whether she went" is a statement.
 The clause "whether she went" is a complement clause of the verb "told".
 The clause "whether she went" is an indirect question.
 The phrase "he" is a noun phrase and the subject of the verb "told".
 The phrase "me" is a noun phrase and the direct object of the verb "told".
 The phrase "she" is a noun phrase and the subject of the verb "went".
 The word "he" is a third person singular masculine subject pronoun.
 The word "me" is a first person singular object pronoun.
 The word "she" is a third person singular feminine subject pronoun.
 The word "told" is a past tense verb.
 The word "told" is the main verb of "he told me whether she went".
 The word "went" is a past tense verb.
 The word "went" is the main verb of "whether she went".
 The word "whether" is an interrogative pronoun.



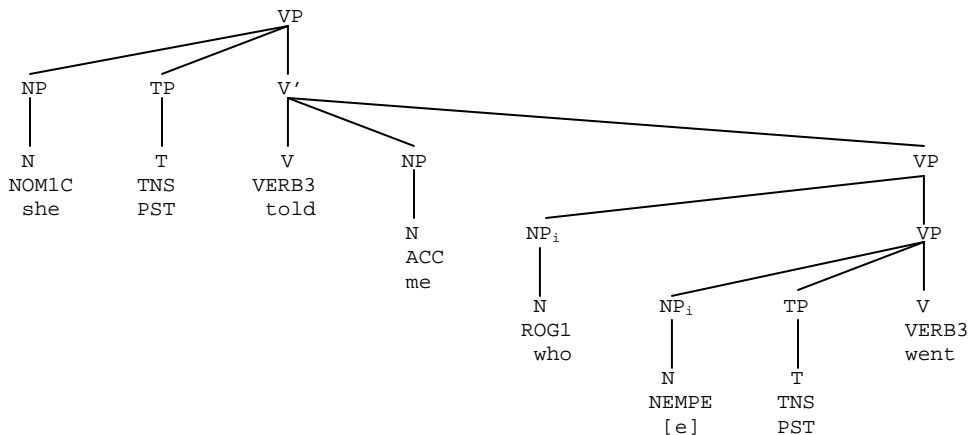
(24) TRANSITIVE (DIRECT OBJECT + SENTENTIAL COMPLEMENT; INDIRECT QUESTION): he told me where she went

The clause "he told me where she went" is a statement.
 The clause "where she went" is a complement clause of the verb "told".
 The clause "where she went" is an indirect question.
 The phrase "he" is a noun phrase and the subject of the verb "told".
 The phrase "me" is a noun phrase and the direct object of the verb "told".
 The phrase "she" is a noun phrase and the subject of the verb "went".
 The phrase "[e]" is the referent of "where" and the empty modifier phrase of the verb "went".
 The word "he" is a third person singular masculine subject pronoun.
 The word "me" is a first person singular object pronoun.
 The word "she" is a third person singular feminine subject pronoun.
 The word "told" is a past tense verb.
 The word "told" is the main verb of "he told me where she went".
 The word "went" is a past tense verb.
 The word "went" is the main verb of "where she went".
 The word "where" is an interrogative pronoun.



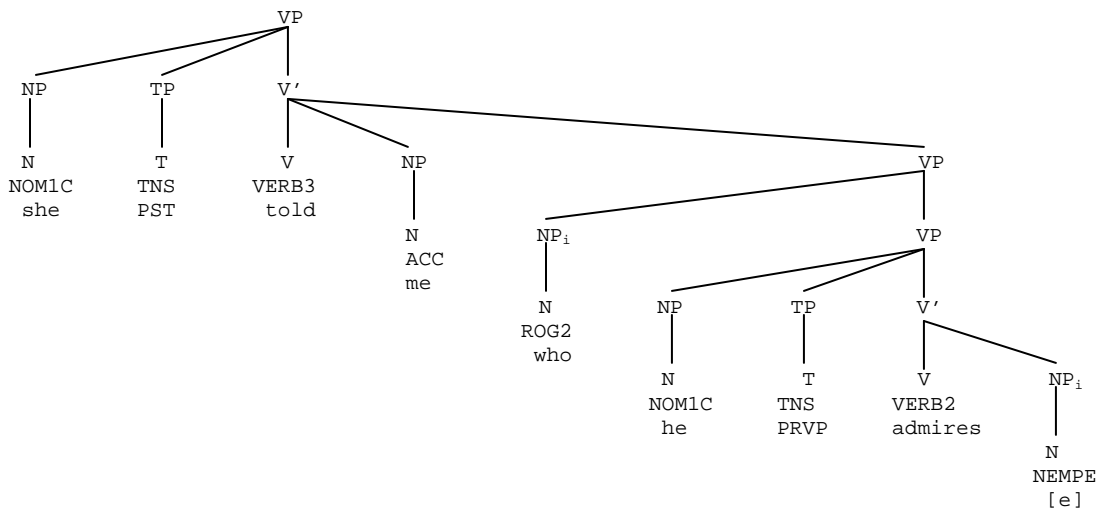
(25) TRANSITIVE (DIRECT OBJECT + SENTENTIAL COMPLEMENT; INDIRECT QUESTION): she told me who [e] went

The clause "she told me who went" is a statement.
 The clause "who went" is an indirect question.
 The phrase "me" is a noun phrase and the direct object of the verb "told".
 The phrase "she" is a noun phrase and the subject of the verb "told".
 The phrase "[e]" is the referent of "who" and the empty subject noun phrase of the verb "went".
 The word "me" is a first person singular object pronoun.
 The word "she" is a third person singular feminine subject pronoun.
 The word "told" is a past tense verb.
 The word "told" is the main verb of "she told me who went".
 The word "went" is a past tense verb.
 The word "went" is the main verb of "who went".
 The word "who" is an interrogative pronoun.



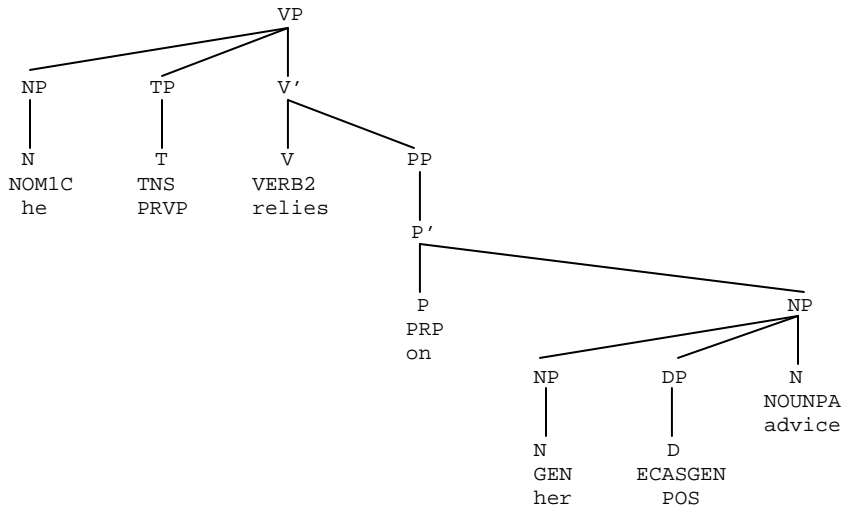
(26) TRANSITIVE (DIRECT OBJECT + SENTENTIAL COMPLEMENT; INDIRECT QUESTION): she told me who he admires

The clause "she told me who he admires" is a statement.
 The clause "who he admires" is an indirect question.
 The phrase "me" is a noun phrase and the direct object of the verb "told".
 The phrase "she" is a noun phrase and the subject of the verb "told".
 The phrase "[e]" is an abstract empty noun phrase and the direct object of the verb "admires".
 The word "admires" is a third person singular present tense verb.
 The word "admires" is the main verb of "who he admires".
 The word "he" is a third person singular masculine subject pronoun.
 The word "me" is a first person singular object pronoun.
 The word "she" is a third person singular feminine subject pronoun.
 The word "told" is a past tense verb.
 The word "told" is the main verb of "she told me who he admires".
 The word "who" is an interrogative pronoun.



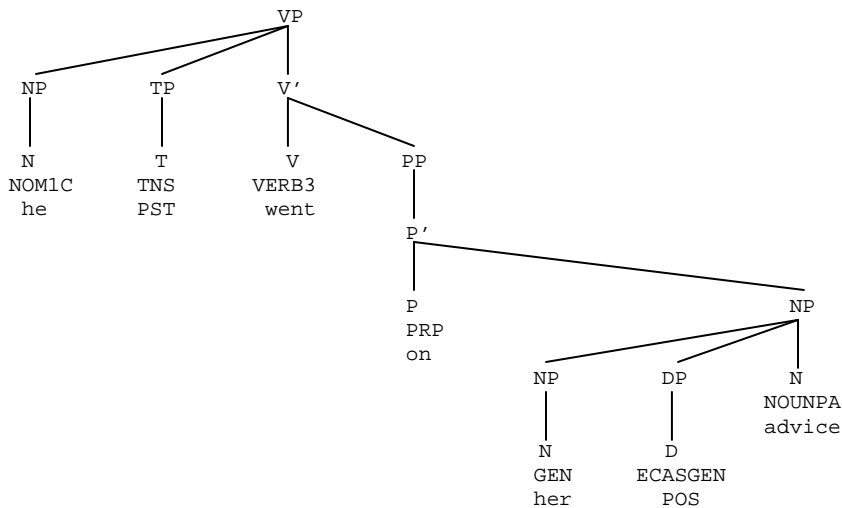
(27) TRANSITIVE (PREPOSITIONAL PHRASE OBJECT): he relies on her advice

The clause "he relies on her advice" is a statement.
 The phrase "he" is a noun phrase and the subject of the verb "relies".
 The phrase "her advice" is a noun phrase and the object of the preposition "on".
 The phrase "her" is a possessive phrase specifying "advice".
 The phrase "on her advice" is a prepositional phrase and a complement of the verb "relies".
 The word "advice" is a singular mass noun.
 The word "advice" is the head of the noun phrase "her advice".
 The word "he" is a third person singular masculine subject pronoun.
 The word "her" is a third person singular feminine possessive pronoun.
 The word "on" is a preposition introducing the prepositional phrase "on her advice".
 The word "POS" is a determiner specifying the noun "advice".
 The word "relies" is a third person singular present tense verb.
 The word "relies" is the main verb of "he relies on her advice".



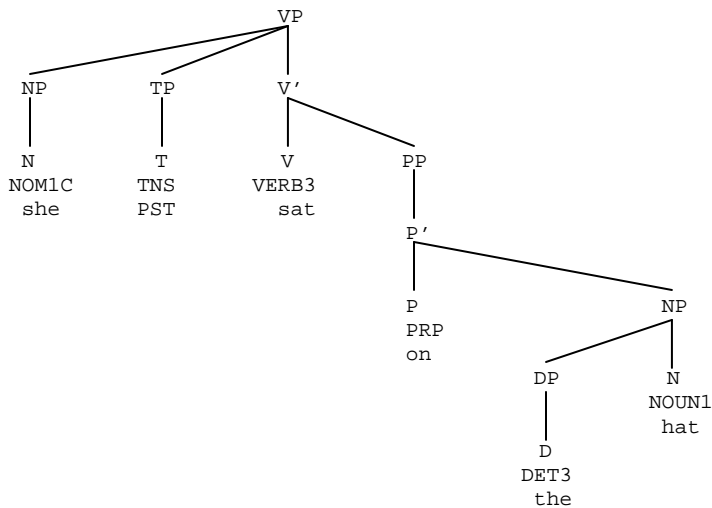
(28) INTRANSITIVE (PREPOSITIONAL PHRASE MODIFIER): he went on her advice

The clause "he went on her advice" is a statement.
 The phrase "he" is a noun phrase and the subject of the verb "went".
 The phrase "her advice" is a noun phrase and the object of the preposition "on".
 The phrase "her" is a possessive phrase specifying "advice".
 The phrase "on her advice" is a prepositional phrase and a modifier of the verb "went".
 The word "advice" is a singular mass noun.
 The word "advice" is the head of the noun phrase "her advice".
 The word "he" is a third person singular masculine subject pronoun.
 The word "her" is a third person singular feminine possessive pronoun.
 The word "on" is a preposition introducing the prepositional phrase "on her advice".
 The word "POS" is a determiner specifying the noun "advice".
 The word "went" is a past tense verb.
 The word "went" is the main verb of "he went on her advice".



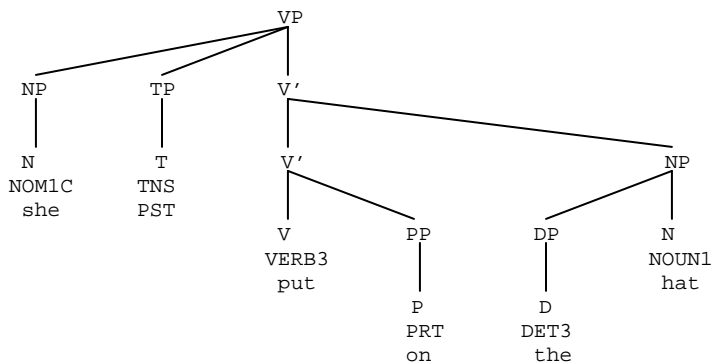
(29) TRANSITIVE (PREPOSITIONAL PHRASE OBJECT): she sat on the hat

The clause "she sat on the hat" is a statement.
 The phrase "on the hat" is a prepositional phrase and a complement of the verb "sat".
 The phrase "she" is a noun phrase and the subject of the verb "sat".
 The phrase "the hat" is a noun phrase and the object of the preposition "on".
 The word "hat" is a singular count noun.
 The word "hat" is the head of the noun phrase "the hat".
 The word "on" is a preposition introducing the prepositional phrase "on the hat".
 The word "sat" is the main verb of "she sat on the hat".
 The word "sat" is a past tense verb.
 The word "she" is a third person singular feminine subject pronoun.
 The word "the" is a determiner specifying the noun "hat".



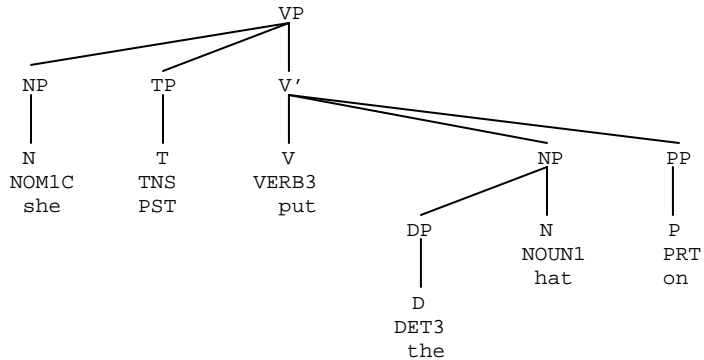
(30) TRANSITIVE (PARTICLE + DIRECT OBJECT): she put on the hat

The clause "she put on the hat" is a statement.
 The phrase "she" is a noun phrase and the subject of the verb "put".
 The phrase "the hat" is a noun phrase and the direct object of the verb "put".
 The word "hat" is a singular count noun.
 The word "hat" is the head of the noun phrase "the hat".
 The word "on" is a particle (intransitive preposition).
 The word "put" is the main verb of "she put on the hat".
 The word "put" is a past tense verb.
 The word "she" is a third person singular feminine subject pronoun.
 The word "the" is a determiner specifying the noun "hat".



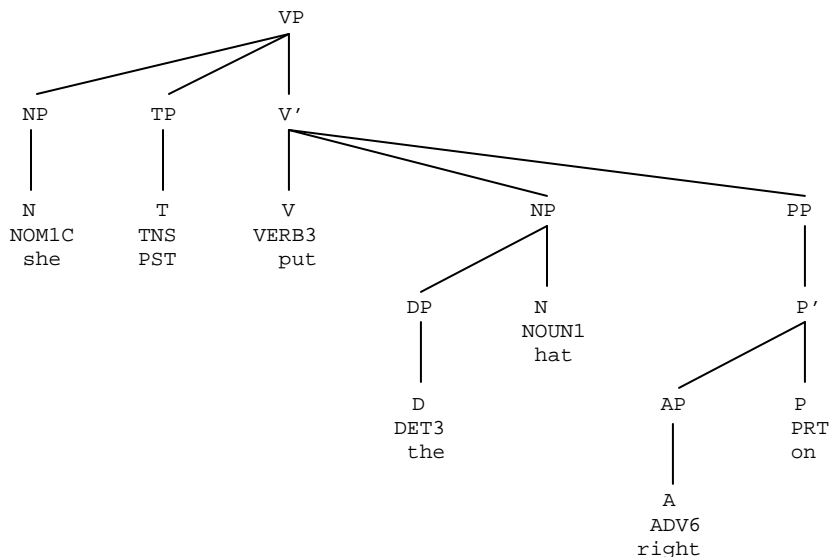
(31) TRANSITIVE (DIRECT OBJECT + PARTICLE): she put the hat on

The clause "she put the hat on" is a statement.
 The phrase "she" is a noun phrase and the subject of the verb "put".
 The phrase "the hat" is a noun phrase and the direct object of the verb "put".
 The word "hat" is a singular count noun.
 The word "hat" is the head of the noun phrase "the hat".
 The word "on" is a particle (intransitive preposition).
 The word "put" is a past tense verb.
 The word "put" is the main verb of "she put the hat on".
 The word "she" is a third person singular feminine subject pronoun.
 The word "the" is a determiner specifying the noun "hat".



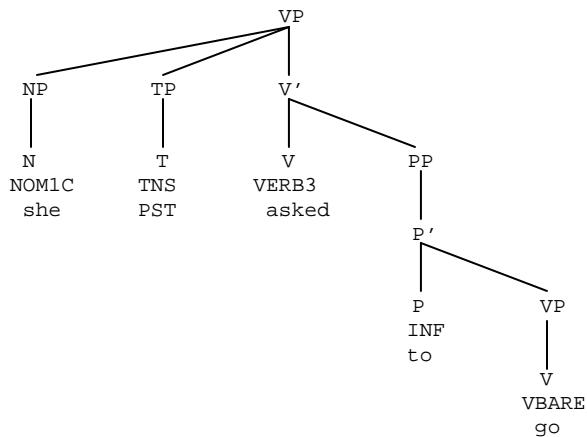
(32) TRANSITIVE (DIRECT OBJECT + PARTICLE): she put the hat right on

The clause "she put the hat right on" is a statement.
 The phrase "right" is an adverb phrase modifying the particle "on".
 The phrase "she" is a noun phrase and the subject of the verb "put".
 The phrase "the hat" is a noun phrase and the direct object of the verb "put".
 The word "hat" is a singular count noun.
 The word "hat" is the head of the noun phrase "the hat".
 The word "on" is a particle (intransitive preposition).
 The word "put" is a past tense verb.
 The word "put" is the main verb of "she put the hat right on".
 The word "she" is a third person singular feminine subject pronoun.
 The word "right" is an adverb.
 The word "the" is a determiner specifying the noun "hat".



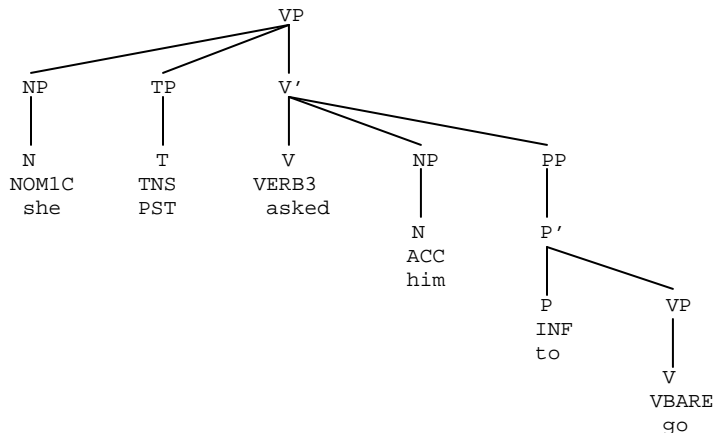
(33) TRANSITIVE (COMPLEMENTARY INFINITIVE): she asked to go

The clause "she asked to go" is a statement.
 The phrase "she" is a noun phrase and the subject of the verb "asked".
 The phrase "to go" is an infinitive complement of the verb "asked".
 The word "asked" is a past tense verb.
 The word "asked" is the main verb of "she asked to go".
 The word "go" is an infinitive verb.
 The word "she" is a third person singular feminine subject pronoun.
 The word "to" is the infinitive marker introducing the infinitive phrase "to go".



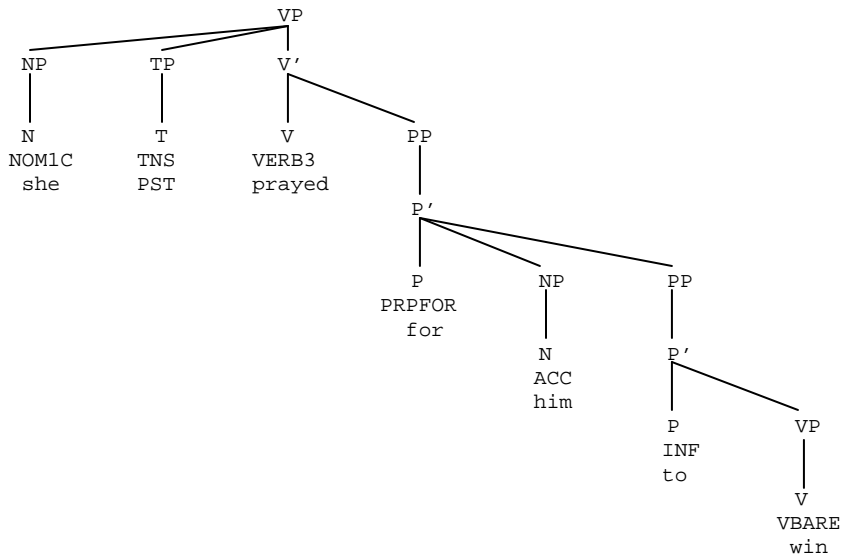
(34) TRANSITIVE (DIRECT OBJECT + COMPLEMENTARY INFINITIVE): she asked him to go

The clause "she asked him to go" is a statement.
 The phrase "him" is a noun phrase and subject of the infinitive verb "go".
 The phrase "him" is a noun phrase and the direct object of the verb "asked".
 The phrase "she" is a noun phrase and the subject of the verb "asked".
 The phrase "to go" is an infinitive complement of the verb "asked".
 The word "asked" is a past tense verb.
 The word "asked" is the main verb of "she asked him to go".
 The word "go" is an infinitive verb.
 The word "him" is a third person singular masculine object pronoun.
 The word "she" is a third person singular feminine subject pronoun.
 The word "to" is the infinitive marker introducing the infinitive phrase "to go".



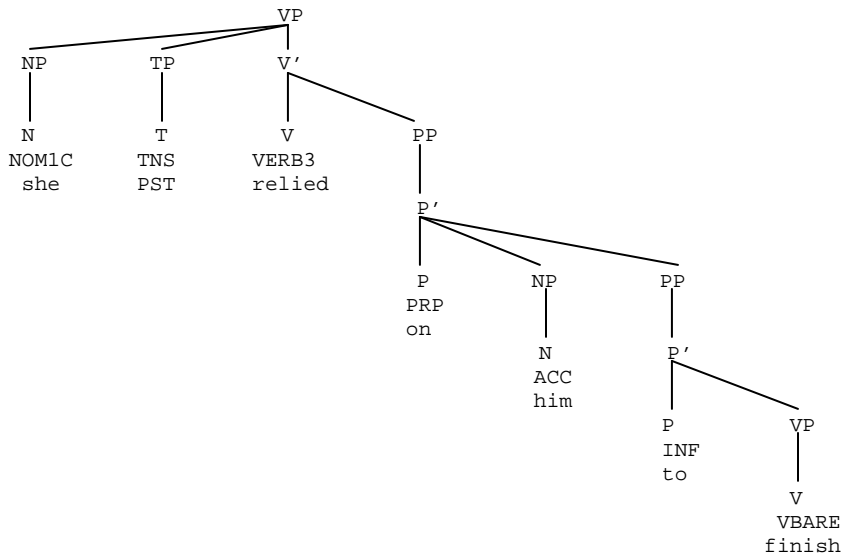
(35) TRANSITIVE (PREPOSITIONAL OBJECT WITH INFINITIVE): she prayed for him to win

The clause "she prayed for him to win" is a statement.
 The phrase "for him to win" is a prepositional phrase and a complement of the verb "prayed".
 The phrase "him" is a noun phrase and the subject of the verb "win".
 The phrase "him" is a noun phrase and the object of the preposition "for".
 The phrase "she" is a noun phrase and the subject of the verb "prayed".
 The word "for" is a preposition introducing the prepositional phrase "for him to win".
 The word "him" is a third person singular masculine object pronoun.
 The word "prayed" is a past tense verb.
 The word "prayed" is the main verb of "she prayed for him to win".
 The word "she" is a third person singular feminine subject pronoun.
 The word "to" is the infinitive marker introducing the infinitive phrase "to win".
 The word "win" is an infinitive verb.



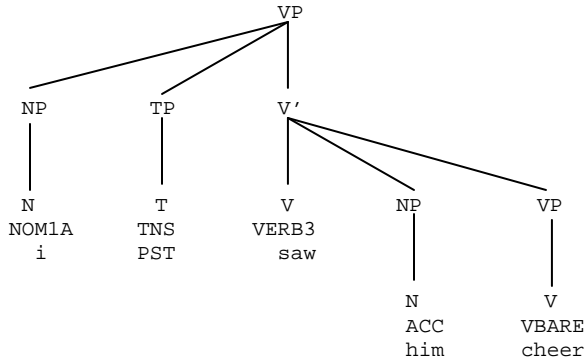
(36) TRANSITIVE (PREPOSITIONAL OBJECT WITH INFINITIVE): she relied on him to finish

The clause "she relied on him to finish" is a statement.
 The phrase "him" is a noun phrase and the object of the preposition "on".
 The phrase "him" is a noun phrase and the subject of the verb "finish".
 The phrase "on him to finish" is a prepositional phrase and a complement of the verb "relied".
 The phrase "she" is a noun phrase and the subject of the verb "relied".
 The word "finish" is an infinitive verb.
 The word "him" is a third person singular masculine object pronoun.
 The word "on" is a preposition introducing the prepositional phrase "on him to finish".
 The word "relied" is a past tense verb.
 The word "relied" is the main verb of "she relied on him to finish".
 The word "she" is a third person singular feminine subject pronoun.
 The word "to" is the infinitive marker introducing the infinitive phrase "to finish".



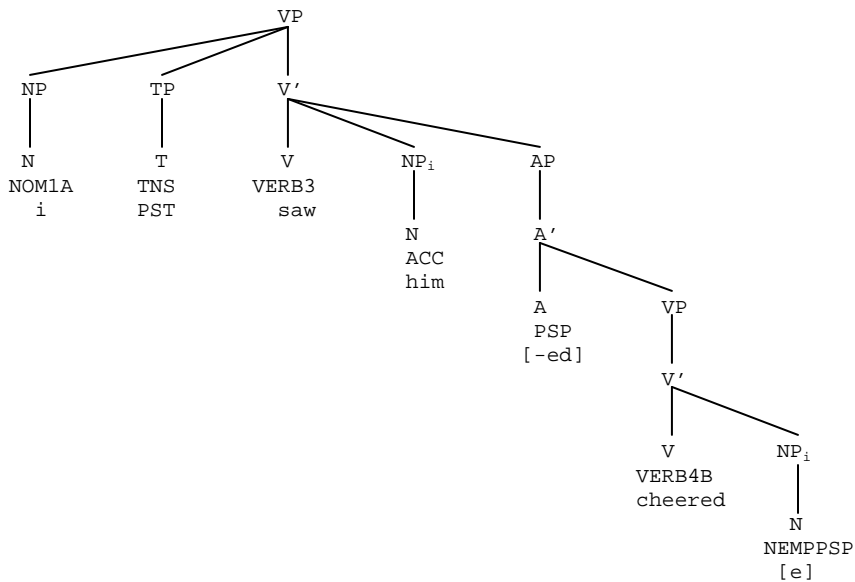
(37) TRANSITIVE (DIRECT OBJECT + BARE INFINITIVE VERB): i saw him cheer

The clause "i saw him cheer" is a statement.
 The phrase "cheer" is the bare infinitive complement of the verb "saw".
 The phrase "him" is a noun phrase and the direct object of the verb "saw".
 The phrase "i" is a noun phrase and the subject of the verb "saw".
 The word "cheer" is a bare infinitive verb.
 The word "him" is a third person singular masculine object pronoun.
 The word "i" is a first person singular subject pronoun.
 The word "saw" is a past tense verb.
 The word "saw" is the main verb of "i saw him cheer".



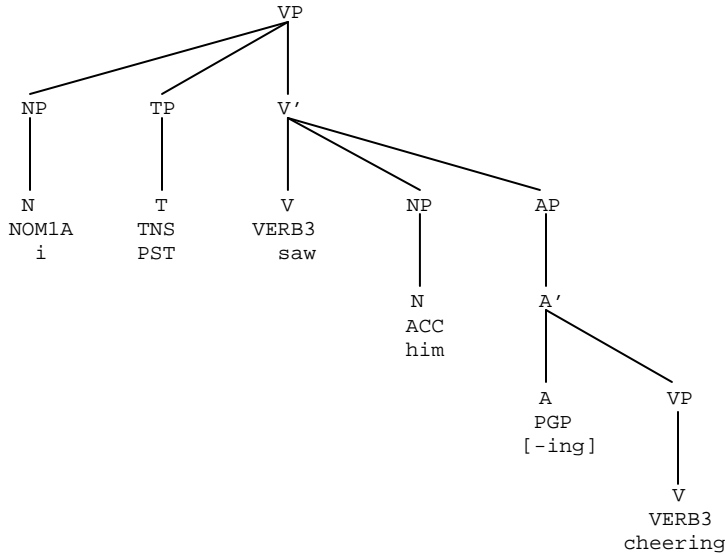
(38) TRANSITIVE (DIRECT OBJECT + PASSIVE PARTICIPLE): i saw him cheered

The clause "i saw him cheered" is a statement.
 The phrase "cheered" is a passive participle phrase describing "him".
 The phrase "him" is a noun phrase and the direct object of the verb "saw".
 The phrase "i" is a noun phrase and the subject of the verb "saw".
 The phrase "[e]" is an empty noun phrase and the direct object of the verb "cheered".
 The word "cheered" is a passive participle.
 The word "him" is a third person singular masculine object pronoun.
 The word "i" is a first person singular subject pronoun.
 The word "saw" is a past tense verb.
 The word "saw" is the main verb of "i saw him cheered".
 The word "[-ed]" is the abstract marker for the passive participle.

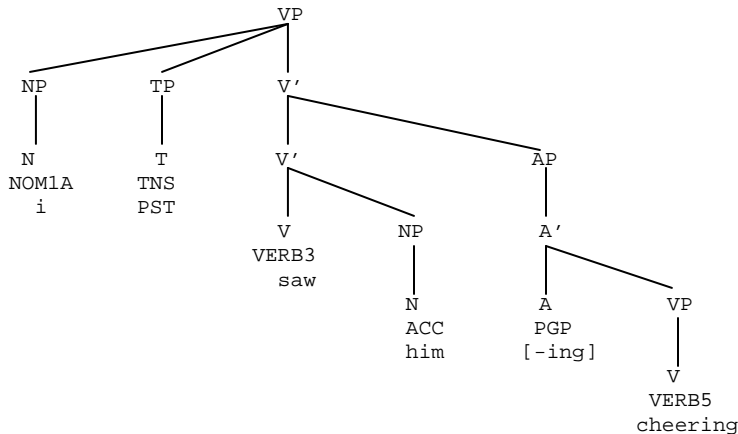


(39) TRANSITIVE (DIRECT OBJECT + PROGRESSIVE PARTICIPLE): i saw him cheering

The clause "i saw him cheering" is a statement.
 The phrase "cheering" is a progressive participle phrase describing "him".
 The phrase "him" is a noun phrase and the direct object of the verb "saw".
 The phrase "i" is a noun phrase and the subject of the verb "saw".
 The word "cheering" is a progressive participle.
 The word "him" is a third person singular masculine object pronoun.
 The word "i" is a first person singular subject pronoun.
 The word "saw" is a past tense verb.
 The word "saw" is the main verb of "i saw him cheering".
 The word "[-ing]" is the abstract marker for the progressive participle.

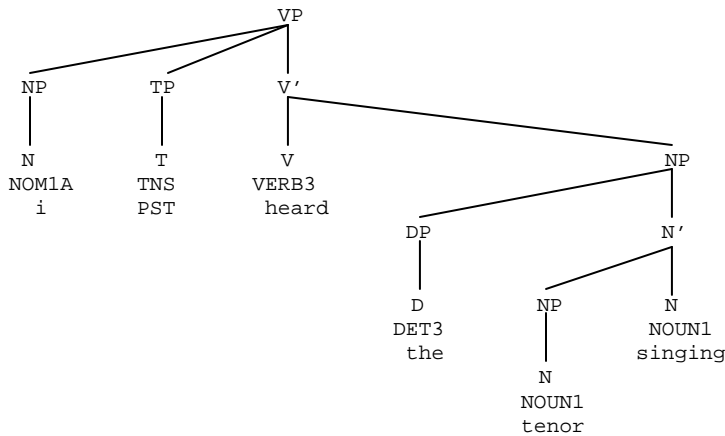


The clause "i saw him cheering" is a statement.
 The phrase "cheering" is a progressive participle phrase describing "i".
 The phrase "him" is a noun phrase and the direct object of the verb "saw".
 The phrase "i" is a noun phrase and the subject of the verb "saw".
 The word "cheering" is a progressive participle.
 The word "him" is a third person singular masculine object pronoun.
 The word "i" is a first person singular subject pronoun.
 The word "saw" is a past tense verb.
 The word "saw" is the main verb of "i saw him cheering".
 The word "[-ing]" is the abstract marker for the progressive participle.

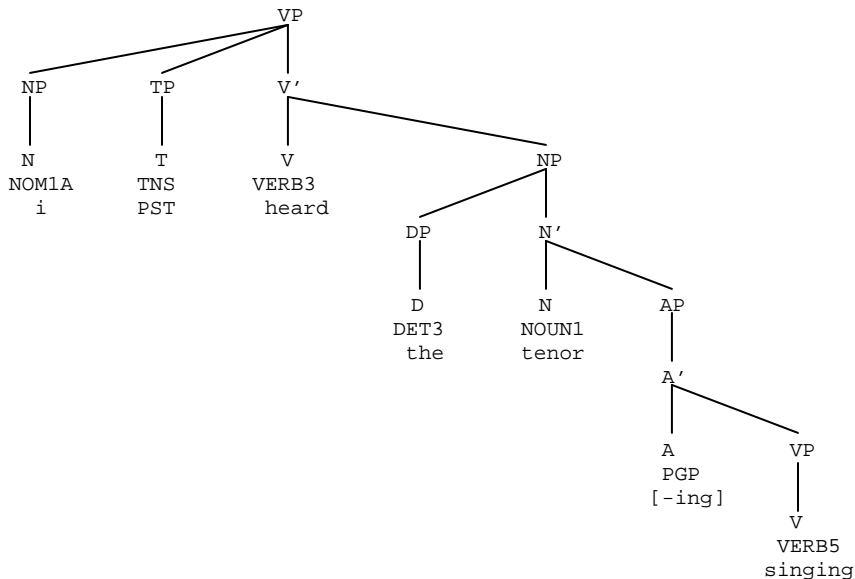


(40) AMBIGUITY: i heard the tenor singing

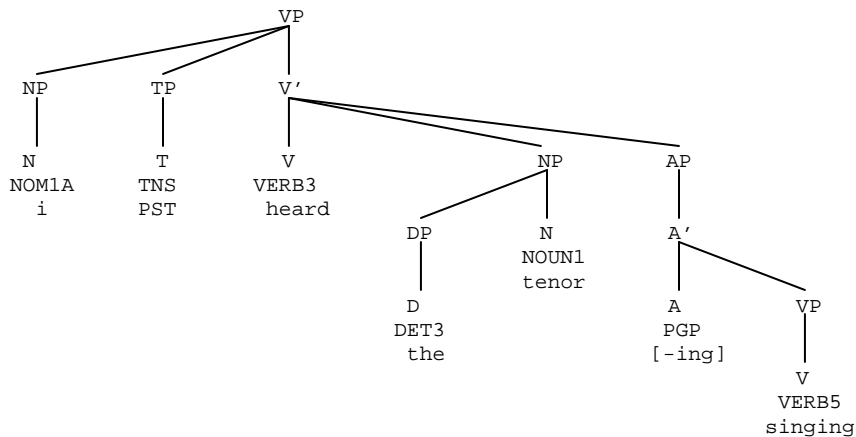
The clause "i heard the tenor singing" is a statement.
 The phrase "i" is a noun phrase and the subject of the verb "heard".
 The phrase "the tenor singing" is a noun phrase and the direct object of the verb "heard".
 The word "heard" is a past tense verb.
 The word "heard" is the main verb of "i heard the tenor singing".
 The word "i" is a first person singular subject pronoun.
 The word "singing" is a singular count noun.
 The word "singing" is the head of the noun phrase "the tenor singing".
 The word "tenor" is a noun forming a compound noun with "singing".
 The word "tenor" is a singular count noun.
 The word "tenor" is the head of the noun phrase "tenor".
 The word "the" is a determiner specifying the noun "singing".



The clause "i heard the tenor singing" is a statement.
 The phrase "i" is a noun phrase and the subject of the verb "heard".
 The phrase "singing" is a progressive participle phrase describing "tenor".
 The phrase "the tenor singing" is a noun phrase and the direct object of the verb "heard".
 The word "heard" is a past tense verb.
 The word "heard" is the main verb of "i heard the tenor singing".
 The word "i" is a first person singular subject pronoun.
 The word "singing" is a progressive participle.
 The word "tenor" is a singular count noun.
 The word "tenor" is the head of the noun phrase "the tenor singing".
 The word "the" is a determiner specifying the noun "tenor".
 The word "[-ing]" is the abstract marker for the progressive participle.



The clause "i heard the tenor singing" is a statement.
 The phrase "i" is a noun phrase and the subject of the verb "heard".
 The phrase "singing" is a progressive participle phrase describing "tenor".
 The phrase "the tenor" is a noun phrase and the direct object of the verb "heard".
 The word "heard" is a past tense verb.
 The word "heard" is the main verb of "i heard the tenor singing".
 The word "i" is a first person singular subject pronoun.
 The word "singing" is a progressive participle.
 The word "tenor" is a singular count noun.
 The word "tenor" is the head of the noun phrase "the tenor".
 The word "the" is a determiner specifying the noun "tenor".
 The word "[-ing]" is the abstract marker for the progressive participle.



The clause "i heard the tenor singing" is a statement.
 The phrase "i" is a noun phrase and the subject of the verb "heard".
 The phrase "singing" is a progressive participle phrase describing "i".
 The phrase "the tenor" is a noun phrase and the direct object of the verb "heard".
 The word "heard" is a past tense verb.
 The word "heard" is the main verb of "i heard the tenor singing".
 The word "i" is a first person singular subject pronoun.
 The word "singing" is a progressive participle.
 The word "tenor" is a singular count noun.
 The word "tenor" is the head of the noun phrase "the tenor".
 The word "the" is a determiner specifying the noun "tenor".
 The word "[-ing]" is the abstract marker for the progressive participle.

